

COORDINACIÓN DE PRODUCCIÓN	Elaborado por: CSGC
	Revisado por: JFA
	Aprobado por: GE
FICHA TÉCNICA TAPÓN DE MEDIA TENSIÓN 15K 200AMP	Página 1 de 2

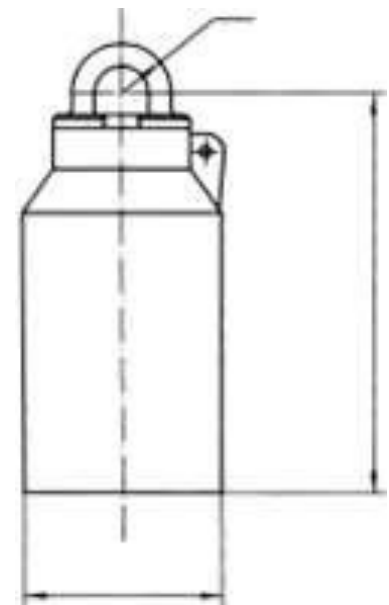


GENERAL

The CEE JYM-15/200 insulated protective cap is an accessory device designed to electrically insulate and mechanically seal load break bushing interfaces. It also protect the de-energized interface from dust and damp. The cap can be used for permanent or temporary installation on bushings, 200A junctions or feedthrough devices. If there is a reserved interface in the junctions or feedthrough devices. If there is a reserved interface in the junctions or the bushings, the insulated protective cap must be used.

This cap is molded or high quality EPDM insulation. When mated to a load break product and the drain wire is attached to ground, the insulating protective cap provides a fully shielded insulating cover for energized bushings.

DIMENSIONS (mm)



ELECTRICAL CHARACTERISTICS

Voltage ratings and characteristics	
Description	kV
Standard voltage class	15
Maximum rating phase-to-phase	14.4
Maximum rating phase-to-ground	8.3
AC 50 Hz 1 minute withstand	34
DC 15 minute withstand	53
Bill and full wave crest	95
11kV partial discharge (not more than)	3pC
Electrical characteristics are in accordance with or exceed GB/T 12706.4-2002, ANSI/IEEE 386-1995, IEC 60502-4:1997.	

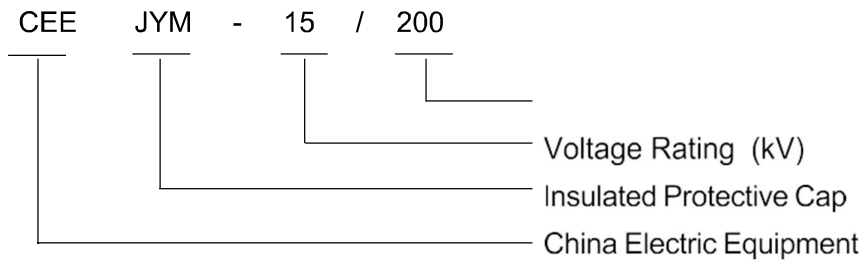
STANDARD PACKING LIST

1	1.5mm2 cooper grounding wire
2	Silicone lubricant
3	Cleaning paper
4	Installation instruction sheet
5	Quality certificate

ORDERING INFORMATION

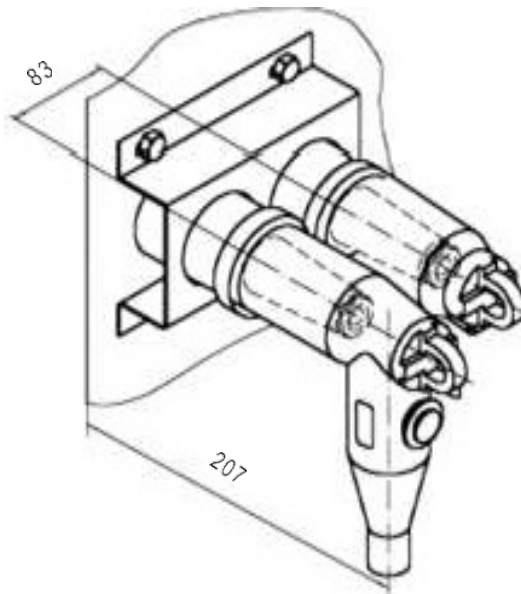
Catalog No.	Voltage rating (kV)	Current rating (A)
CEE JYM-15/200	15	200

CODE INFORMATION



TYPICAL ARRANGEMENT

200A load break junction + mounting bracket + 200A load break elbow connector + 200A insulated protection cap (15kV class).



SPECIAL OPERATING TOOL: Clampsticks

IMPORTANT

All the 200A spare interface must be covered with 200A insulated protective cap. Red shipping cap is not for energized operation. Do not replace the insulated protective cap with red shipping cap. More information for cable accessories installation instructions, technic questions. Please contact your local CEE power system representative or visit our website.