

COORDINACIÓN DE PRODUCCIÓN	Elaborado por: CSGC
	Revisado por: JFA
	Aprobado por: GE
FICHA TÉCNICA REGLETA Y SOPORTE	Página 1 de 2



GENERAL

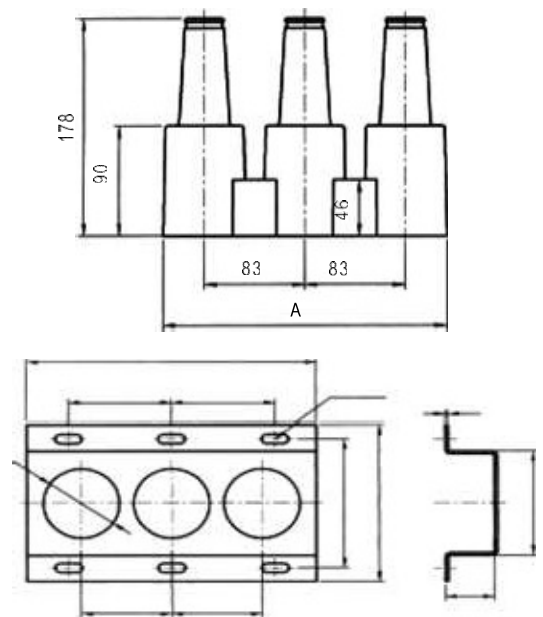
The CEE MP – 15/200 (“ “ is the number code of branch) load break junction provide two, three or four 200Amp through 15kV load break interfaces. When mated with a comparably rated product, the junction provides a fully shielded, submersible, separable connection for load break operation. The 200A load break junctions are used with elbow connectors, 200A insulated protective caps, grounding elbows or M.O.V.E arresters etc.

It is available with an adjustable bracket for mounting at various operating angles on flat or cured surfaces. There is a stainless steel “u” straps on the bracket for accommodating insulated standoff bushing or portable feedthrus.

ELECTRICAL CHARACTERISTICS

Voltage ratings and characteristics	
Description	kV
Standard voltage class	15
Maximum rating phase-to-phase	14.4
Maximum rating phase-to-ground	8.3
AC 50 Hz 1 minute withstand	34
DC 15 minute withstand	53
Bill and full wave crest	95
11kV partial discharge (not more than)	3pC
Current ratings and characteristics	
Descriptions	Amperes
Continuous	200A
Switching	10 operations at 200A,14,4kV
Fault closure	10kA
Short time	10kA rms symmetrical for 0.2 s
	3.5kA rms symmetrical for 3.0 s
Electrical characteristics are in accordance with or exceed GB/T 12706.4-2002, ANSI/IEEE 386-1995, IEC 60502-4:1997.	

DIMENSIONS (mm)



STANDARD PACKING LIST

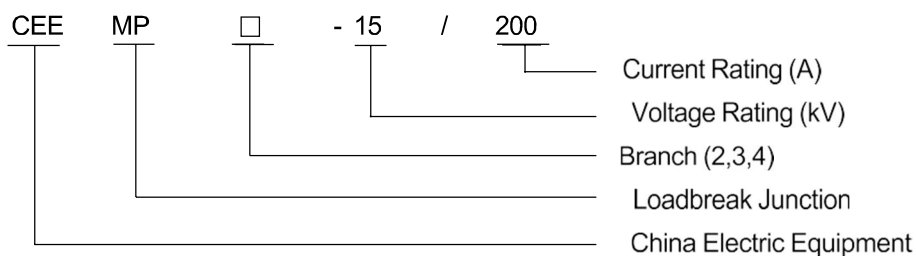
1	Load break junction
2	Red shipping cap
3	Silicone lubricant
4	Cleaning paper
5	Installation instruction sheet
6	Quality certificate

Branch	Two	Three	Four
A	152	235	318
B	183	266	349

ORDERING INFORMATION

Catalog No.	Current rating (A)
CEE MP 2-15/200	200
CEE MP 3-15/200	200
CEE MP 4-15/200	200

CODE INFORMATION



TYPICAL ARRANGEMENT

200A load break junction + mounting bracket + 200A load break elbow connector + 200A insulated protection cap (15kV class).

